

- 3) Screw the bottom piano hinge onto the end of piece P centered on P. Plan the hinge pin portion just inside the top edge of P (Fig. 15), with piece P and piano hinge spaced the same as shown. Then, separate the front edge of piece C when folded. Dry fit piece P to check for fit. Attach P to H by attaching the hinge already on P with the hinge hardware to H. Attach the side piano hinge to the edge of B as shown (Fig. 4) with the hinge pin protruding slightly past the outside edge of B. Ensure the unit is square, and set aside to dry.
- 4) Make the two LM shelf assemblies by gluing the edge of M and nailing through pieces L into pieces M as shown with 1 1/2" finishing nails (Fig. 5). Glue one edge of piece W, draw a line 2" from the unrounded edge of piece J, (on the back of J), turn the piece over on top of M, and nail J to M, using 1 1/2" nails. Nail pieces Q and Q1 to piece F with 1 1/4" finishing nails. These pieces are to provide space behind your pegboard. Glue and nail pieces D and E to F with 1 1/2" finishing nails and nail the LM shelf assembly with the addition of F with 1 1/4" nails as shown (Fig. 6). Glue and nail on the pegboard R with 1 1/4" nails. Ensure the door fits snugly into the main assembly, trim as necessary if it is too tight. Attach the door to the main assembly with the piano hinge already attached to B as shown (Fig. 7). Pre-drill, glue and nail on spacer N to JM with 1 1/4" nails, flush with end of P when opened (Fig. 7). Wipe off excess glue.
- 5) Attach the hook latch assembly onto pieces P & N, and the magnetic attach to G and the top of P. Attach the suitcase latch to pieces C and E to ensure the unit stays closed. Set and fill all nail holes. Fill nail holes with wood putty and sand. Paint with enamel paint. Mount to wall 30" above floor with six 3" #8 flathead screws going into wall studs.

**On materials:**  
This project is designed to be painted. The plywood does not need to be expensive.

- TOOLS**
- \* Pencil and Measuring Tape
  - \* Hammer and Screwdrivers
  - \* Table Saw and Jigsaw
  - \* Paint Brush
  - \* Compass (optional)
  - \* Square
  - \* Power Drill and 1/16" bit
  - \* Square Chisel
  - \* Wood Glue
  - \* Putty Knife

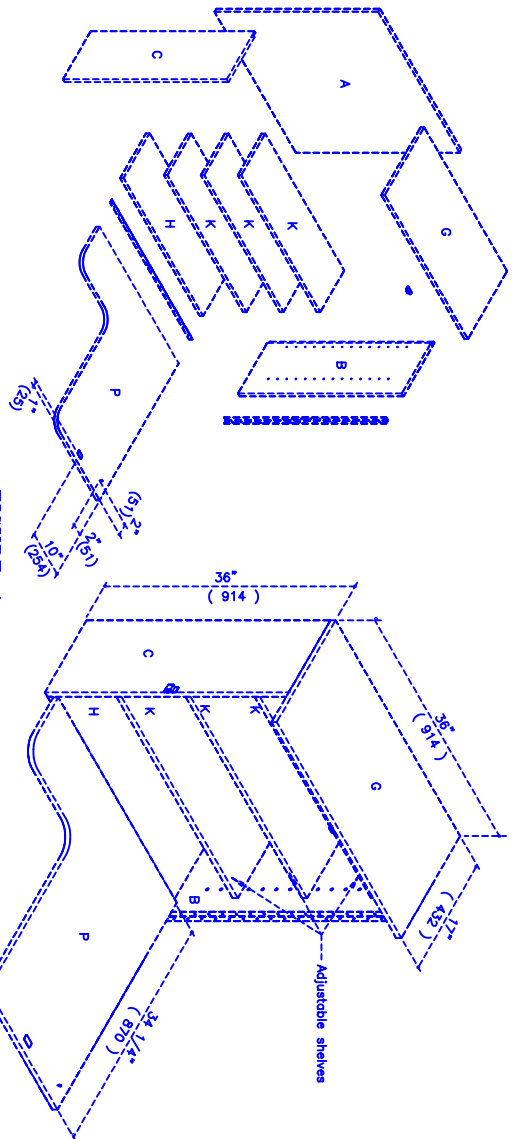


FIGURE 4

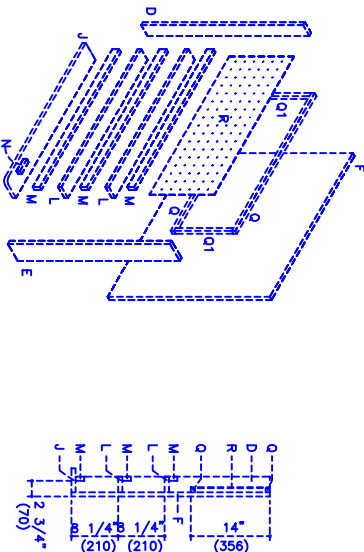


FIGURE 5

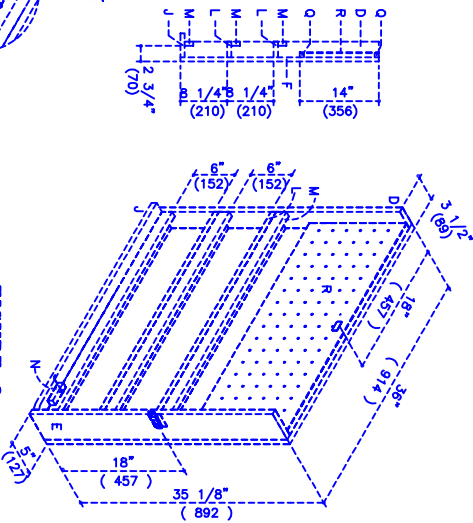


FIGURE 6

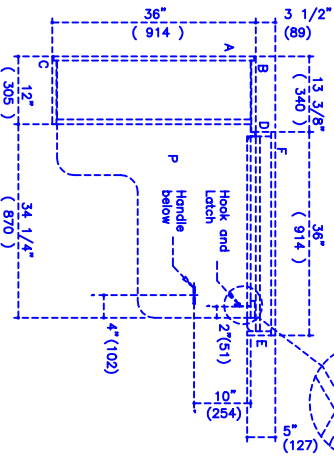


FIGURE 7

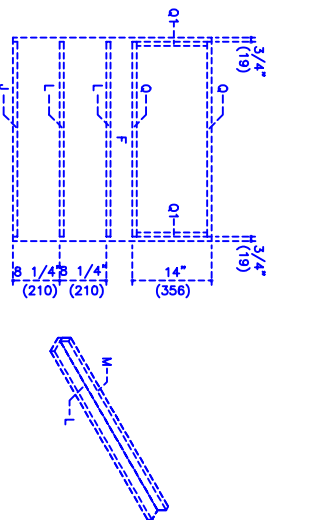
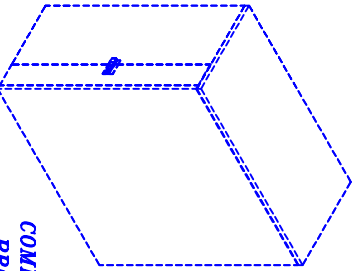


FIGURE 8



COMPLETED PROJECT

